



TEREX LIFTING AUSTRALIA PTY LTD

Curtin Avenue East • P.O. Box 1396 • Eagle Farm QLD 4009 AUSTRALIA
Telephone: (+61) 7 3868 9600 Facsimile: (+61) 7 3268 2489
Internet: www.franna.com.au E-Mail: info@franna.com.au

ABN 86 010 671 048
ACN 010 671 048



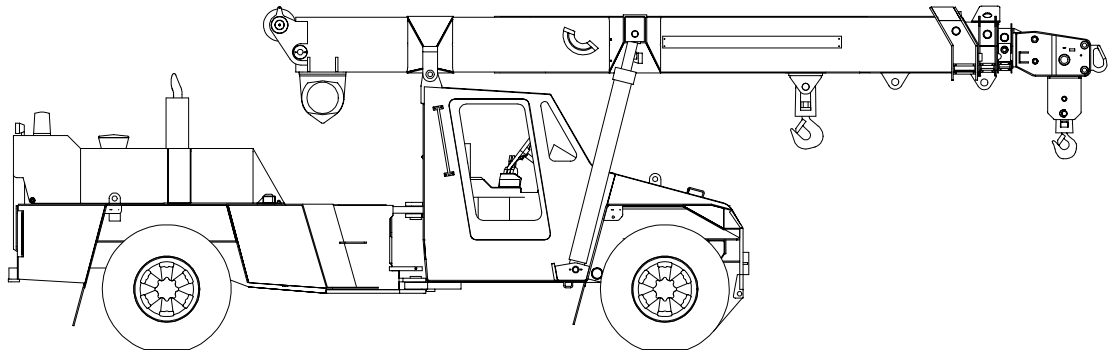
CRANE RATING MANUAL

MODEL AT-20

BOOK PART NUMBER 16C1320-

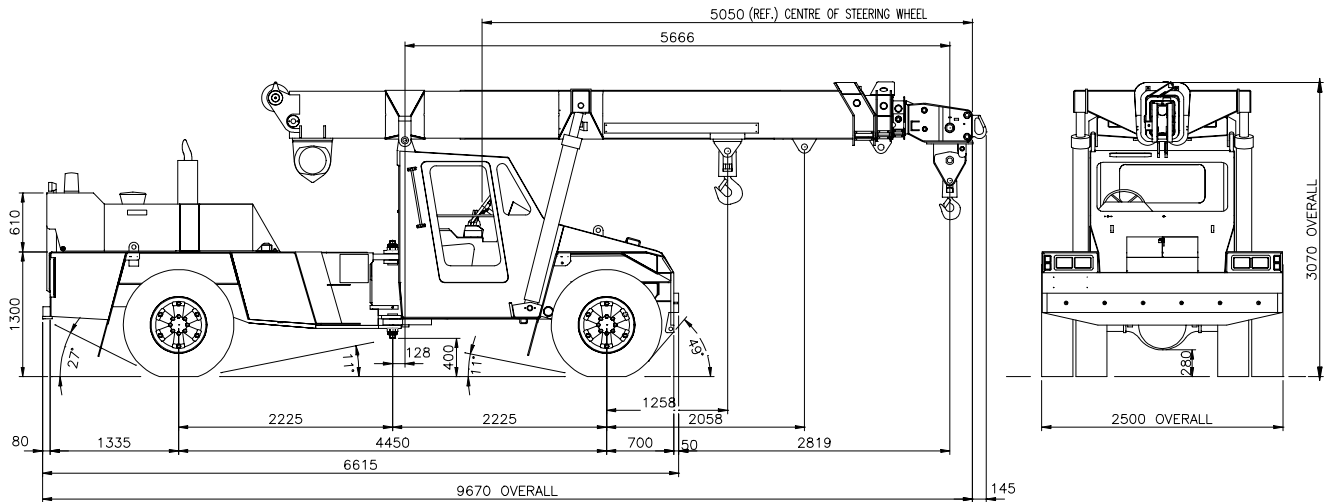
HYDRAULIC ALL TERRAIN PICK & CARRY CRANE

20 TONNE MAXIMUM CAPACITY



**Do not operate this
crane unless you have
read and understood
the information in this
book.**

INFORMATIONAL DATA



Crane Dimensions

Length (carrier)	6 615
Width	2 500
Height (with Boom)	3 070
Length Overall	9 670
Wheelbase	4 450
Front Axle Weight	8 000 kg
Rear Axle Weight	11 500 kg

HOOK BLOCK WEIGHTS

SINGLE PART HOOK BLOCK	30 kg
TWO/THREE PART HOOK BLOCK	95 kg
FOUR PART HOOK BLOCK	125 kg
20 METRIC TONNE HOOK	15 kg

NOTE : THESE WEIGHTS APPLY ONLY TO TEREX LIFTING AUSTRALIA PTY LTD SUPPLIED EQUIPMENT.

WINCH LOAD CHART

Number of Parts of Rope	Permissible Winch Load (kg)
1	4 200
2	8 400
3	12 600
4	16 800

**Wire Rope : 14mm 35W x 7 Non-rotating Compak
Minimum Breaking Force 165 kN**

TYRE INFLATION CHART

Position	Construction & Ply Rating	Inflation Pressure - PSI	
		Pick & Carry	Highway Travel
Front	12.00 – 20 x 20 Ply	125	125
Rear	12.00 – 20 x 20 Ply	90	90